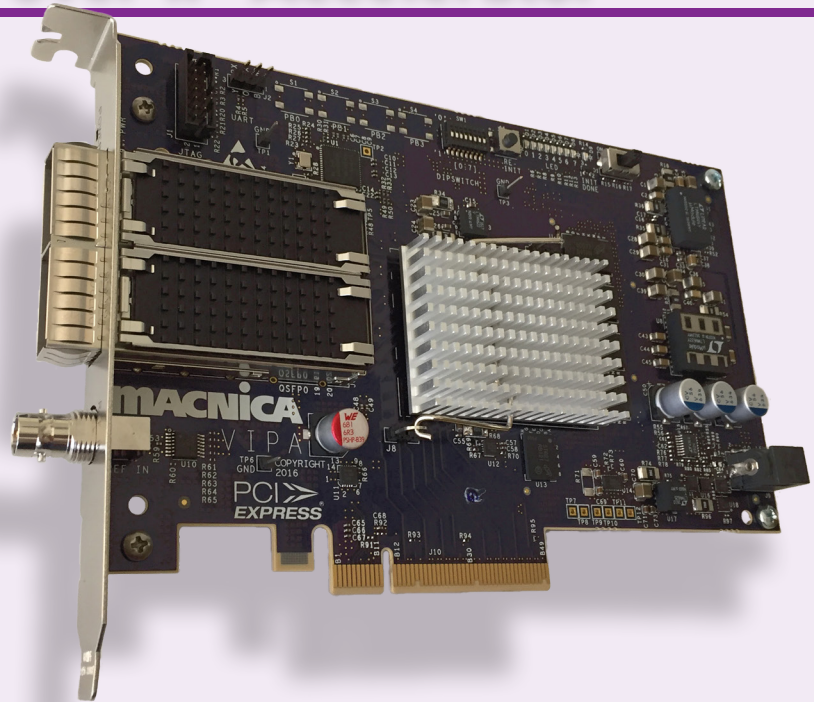


VIPA™ PCIe Video over IP Accelerator

Professional video transport interface card implementing all of the next generation video over IP standards



- Transport video over LAN with full redundancy
- Transport video over metro / carrier with low latency
- Media-convert video from SDI to IP protocols
- Transport 4K over 10G network with light compression

Macnica's Video over IP Accelerator Transport card (VIPA™) provides users with the industry's most proven and tested video over IP solution in the form of an easy to use PCIe server card.

Macnica has developed the underlying IP for the SMPTE standards since 2011 and has shown reliability and full standard support at multiple interop events.

Features:

- Transport: ST2022-2/6, Aspen, ST2110, Sony NMI, full duplex
- Optional extender box adds four 3G-SDI I/O
- Forward Error Correction (FEC): ST2022-1/5
- Hitless diversity: ST2022-7 for dual link network redundancy
- Precision Timing: ST2059-1/2
- Up to 256 media channels per link, supporting separate video, audio and ancillary data streams

- Able to mix transport protocols on a per channel bases
- Allows media conversion from any protocol (SDI, Sony, Aspen, ST2022-6, ST2110) to any protocol (SDI, Sony, Aspen, ST2022-6, ST2110)
- Extremely efficient ring descriptor DMA engine for low latency
- Visually lossless TICO compression / decompression
- Four SFP+ 10G network connections
- Linux and Windows driver support
- NMOS / Sony LSM compatible API
- Multicast ready with IGMP3

Macnica's patented clock recovery allows video clock recovery from the IP data and tolerance for significant network jitter.

Macnica's VIPA card is shipped with PCIe drivers as well as an API for the NMOS open source and the Sony LSM environments.

macnicatech.com

MACNICA

VIPA™ PCIe Video over IP Accelerator

Professional video transport interface card implementing all of the next generation video over IP standards

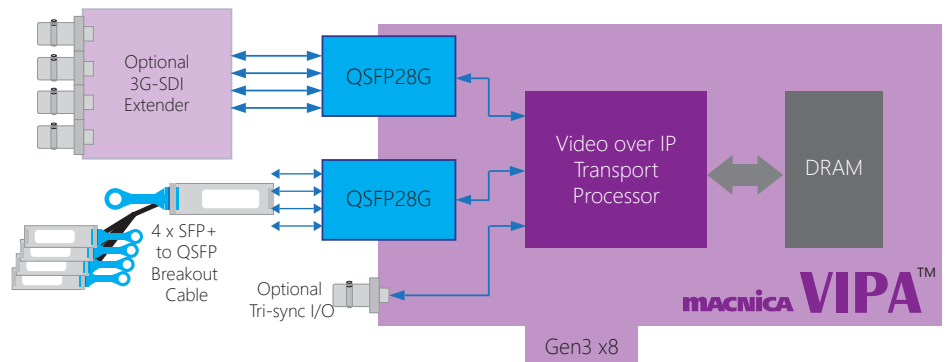
Macnica's VIPA™ card offers the industry's most reliable, well proven implementation of the video over IP standards, complete with SW to easily integrate it into an NMOS or Sony based system.

Macnica offers 10G with a future road map to a 25G version of the VIPA to support all network deployments.

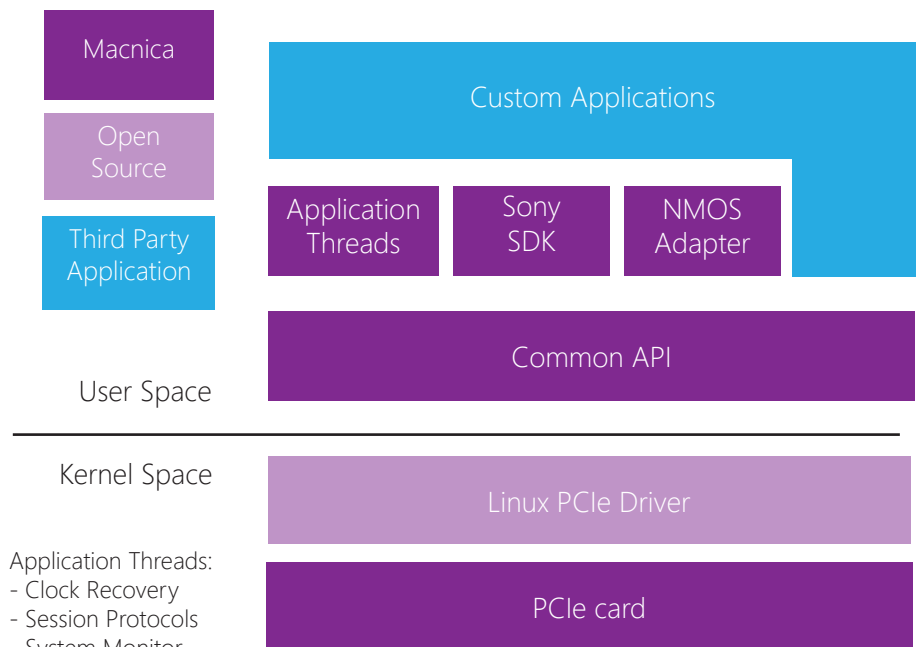
VIPA cards are shipped with ST2022-6 installed and additional features are licensed as needed for maximum flexibility. Licenses can be obtained on a permanent or subscription basis.

Evaluation units of the VIPA are available, allowing customers to prove the technology in their own systems.

Full data sheet and specs are available on request.



Macnica's Video Transport Software



Macnica Technology

380 Stevens Ave.
Solana Beach CA 92075
+1-858-914-2649
videotransport@macnica.com

macnicatech.com

MACNICA

**Revolutionizing
Live Video
Transport**